



BlueLinx Engineered Products

PRODUCT OVERVIEW

Residential Floor & Roof Systems

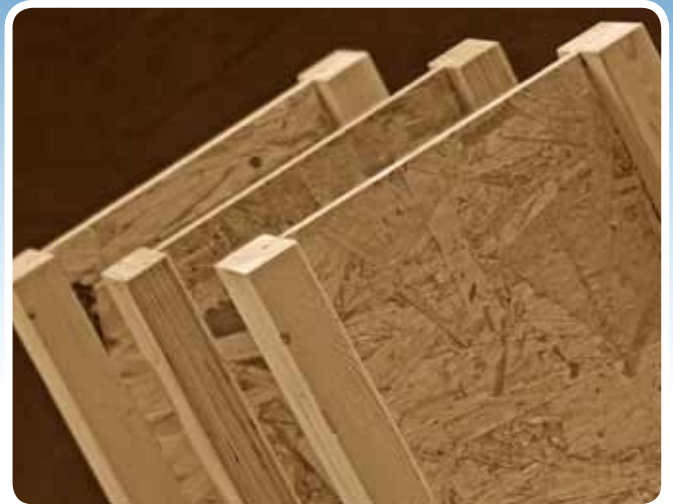
ENGINEERED LUMBER





onCENTER BLI JOISTS

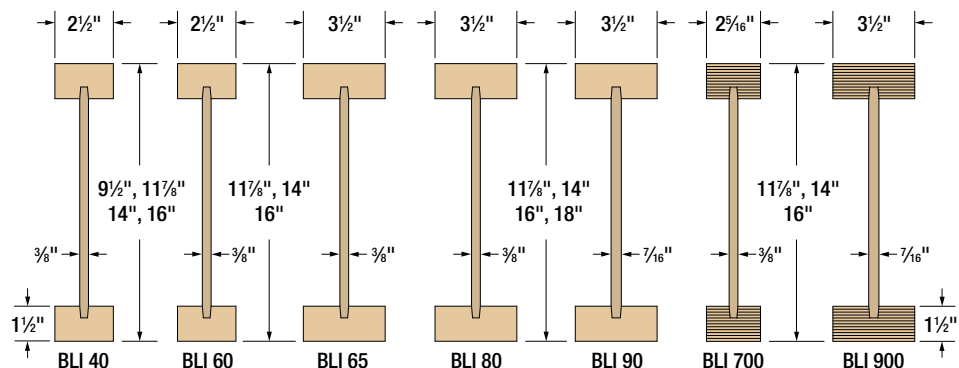
- Lightweight and easy to handle, the I-shaped configuration allows for longer spans and more load-carrying capacity than dimension lumber
- Manufactured with machine stress rated (MSR) or laminated veneer lumber (LVL) flanges and an enhanced OSB web
- Low moisture content means greater dimensional stability resulting in quieter floors and fewer costly callbacks
- Wide flanges provide more support for floor sheathing and more surface area for nailing, saving time and money
- Available in lengths up to 48' (up to 60' by special order)



40 PSF Live Load (L/480) + 10 PSF Dead Load

| Joist Series | Joist Depth | Spacing (Simple Span) | | | | Spacing (Multiple Span) | | | |
|--------------|-------------|-----------------------|----------|------------|----------|-------------------------|----------|------------|----------|
| | | 12" o.c. | 16" o.c. | 19.2" o.c. | 24" o.c. | 12" o.c. | 16" o.c. | 19.2" o.c. | 24" o.c. |
| BLI 40 | 9½" | 17'-11" | 16'-05" | 15'-06" | 14'-06" | 19'-07" | 17'-10" | 16'-04" | 14'-07" |
| | 11½" | 21'-05" | 19'-07" | 18'-06" | 16'-08" | 23'-04" | 20'-05" | 18'-07" | 16'-07" |
| | 14" | 24'-04" | 22'-02" | 20'-06" | 18'-04" | 25'-11" | 22'-05" | 20'-05" | 18'-03" |
| | 16" | 26'-11" | 24'-03" | 22'-01" | 19'-09" | 27'-11" | 24'-02" | 22'-00" | 19'-08" |
| BLI 60 | 11½" | 22'-07" | 20'-08" | 19'-06" | 18'-02" | 24'-08" | 22'-06" | 21'-02" | 19'-07" |
| | 14" | 25'-08" | 23'-06" | 22'-02" | 20'-08" | 28'-00" | 25'-07" | 24'-01" | 19'-09" |
| | 16" | 28'-06" | 26'-00" | 24'-07" | 22'-10" | 31'-01" | 28'-04" | 24'-09" | 19'-09" |
| BLI 65 | 11½" | 23'-06" | 21'-05" | 20'-02" | 18'-09" | 25'-06" | 23'-02" | 21'-10" | 19'-10" |
| | 14" | 26'-08" | 24'-03" | 22'-10" | 21'-03" | 28'-11" | 26'-04" | 24'-05" | 21'-10" |
| | 16" | 29'-06" | 26'-10" | 25'-04" | 23'-06" | 32'-01" | 28'-10" | 26'-04" | 23'-06" |
| BLI 80 | 11½" | 24'-10" | 22'-08" | 21'-04" | 19'-10" | 27'-01" | 24'-08" | 23'-02" | 21'-07" |
| | 14" | 28'-03" | 25'-09" | 24'-03" | 22'-07" | 30'-09" | 28'-00" | 26'-04" | 23'-11" |
| | 16" | 31'-04" | 28'-06" | 26'-10" | 25'-00" | 34'-02" | 31'-00" | 29'-02" | 24'-07" |
| | 18" | 34'-02" | 31'-01" | 29'-03" | 24'-10" | 37'-03" | 33'-10" | 30'-09" | 24'-07" |
| BLI 90 | 11½" | 25'-07" | 23'-03" | 21'-11" | 20'-05" | 27'-10" | 25'-03" | 23'-10" | 21'-10" |
| | 14" | 29'-00" | 26'-05" | 24'-11" | 23'-02" | 31'-07" | 28'-09" | 27'-01" | 23'-11" |
| | 16" | 32'-01" | 29'-03" | 27'-06" | 25'-05" | 34'-11" | 31'-10" | 29'-11" | 25'-11" |
| | 18" | 35'-01" | 31'-11" | 30'-01" | 24'-10" | 38'-03" | 34'-09" | 31'-09" | 25'-05" |
| BLI 700 | 11½" | 23'-00" | 21'-00" | 19'-10" | 18'-06" | 25'-01" | 22'-10" | 21'-07" | 19'-06" |
| | 14" | 26'-01" | 23'-10" | 22'-06" | 20'-11" | 28'-05" | 25'-11" | 24'-05" | 19'-06" |
| | 16" | 29'-00" | 26'-05" | 24'-11" | 23'-01" | 31'-07" | 28'-09" | 24'-05" | 19'-06" |
| BLI 900 | 11½" | 26'-04" | 24'-00" | 22'-07" | 21'-00" | 28'-08" | 26'-01" | 24'-07" | 22'-10" |
| | 14" | 29'-11" | 27'-02" | 25'-07" | 23'-10" | 32'-07" | 29'-07" | 27'-10" | 25'-11" |
| | 16" | 33'-01" | 30'-01" | 28'-04" | 26'-04" | 36'-01" | 32'-09" | 30'-10" | 26'-07" |

Spans above are based on uniform loads and composite action with glued-nailed sheathing. For important notes regarding this table, please refer to the onCENTER Engineered Lumber Residential Floor & Roof Systems Product Guide.



Not all products may be available in all locations. Contact BlueLinX for local availability.



onCENTER 2.1E LVL BEAM AND HEADER

- Resists shrinking, splitting, warping, and checking
- High strength-to-weight ratio
- Easily fasten multiple pieces together to achieve greater thicknesses (up to 7") for higher load carrying capacity
- Protective sealant applied to all factory surfaces for protection from the elements during construction

| Thickness | Depths |
|-----------|---|
| 1¾" | 7¼", 9¼", 9½", 11¼", 11⅞", 14", 16", 18", 24" |

Available in lengths up to 60' (lengths exceeding 48' by special order in some locations).



onCENTER ADVANCED FRAMING LUMBER (AFL)

- Black spruce lumber assembled with a patented process using a double tongue-and-groove edge with waterproof and heat-resistant adhesive
- 100% usability with wane-free edges
- Lightweight and easier to cut and nail than composite lumber
- Available in four grades: 1.6E, 1.7E, 1.9E, and 2.1E

| Thickness | Depths |
|-----------|---|
| 1½" | 3½", 5½", 7¼", 9¼", 9½", 11¼", 11⅞", 14", 16" |

Available in lengths up to 32'.



onCENTER RIM BOARD SE

- Ideally suited for floor systems built with BLI joists
- High vertical load transfer capacity
- Provides solid deck attachment

| Thicknesses | Depths |
|-------------|--------------------------|
| 1" & 1⅞" | 9½", 11⅞", 14", 16", 18" |

Available in 12' lengths (24' available in the Western US).

Visit www.buildonCENTER.com today for additional information about onCENTER products.



BlueLinX Engineered Products

ENGINEERED LUMBER

When it's built right, it's onCENTER!

- Manufactured by some of the newest and most technologically advanced mills in the industry
- Rely on our expertise and commitment to supply quality materials with outstanding service
- Benefit from our in-depth understanding of supply chain logistics
- onCENTER Framing Systems can contribute towards green building certification programs such as LEED®, Green Globes®, and the National Green Building Standard
- FSC® & SFI® certified products are available
- Third-party quality assurance provided by APA-EWS (AFL by PFS Corporation)
- Backed by a lifetime limited warranty* assuring long-lasting, consistent performance
- The entire onCENTER product line can be designed and specified using engineered wood software such as Doma Sizer™, iStruct®, MiTek Sapphire®, and Alpine IntelliVIEW.



BlueLinX Corporation
1950 Spectrum Circle
Marietta, GA 30067
877-914-7770
www.buildonCENTER.com



* Visit www.buildonCENTER.com or call 877-914-7770 for terms, conditions, and limitations of limited warranty.

ONCENTER is a registered trademark, DOMA Sizer is a trademark, and BLUELINX and the BLUELINX design are trademarks and registered service marks of BlueLinX Services, Inc. ISTRUCT is a registered trademark of Calculated Structured Designs, Inc., and SAPPHIRE is a registered trademark of MiTek Holdings, Inc. LEED is a registered trademark of the U.S. Green Building Council. Green Globes is a registered trademark of the Green Building Initiative. FSC is a registered trademark of Forest Stewardship Council, A.C. SFI is a registered trademark of Sustainable Forest Initiative Inc.

©2021 BlueLinX Corporation. All rights reserved. Printed in the U.S.A. on recycled paper.

July 2021 Lit. Item #OCLQG

Dealer information: