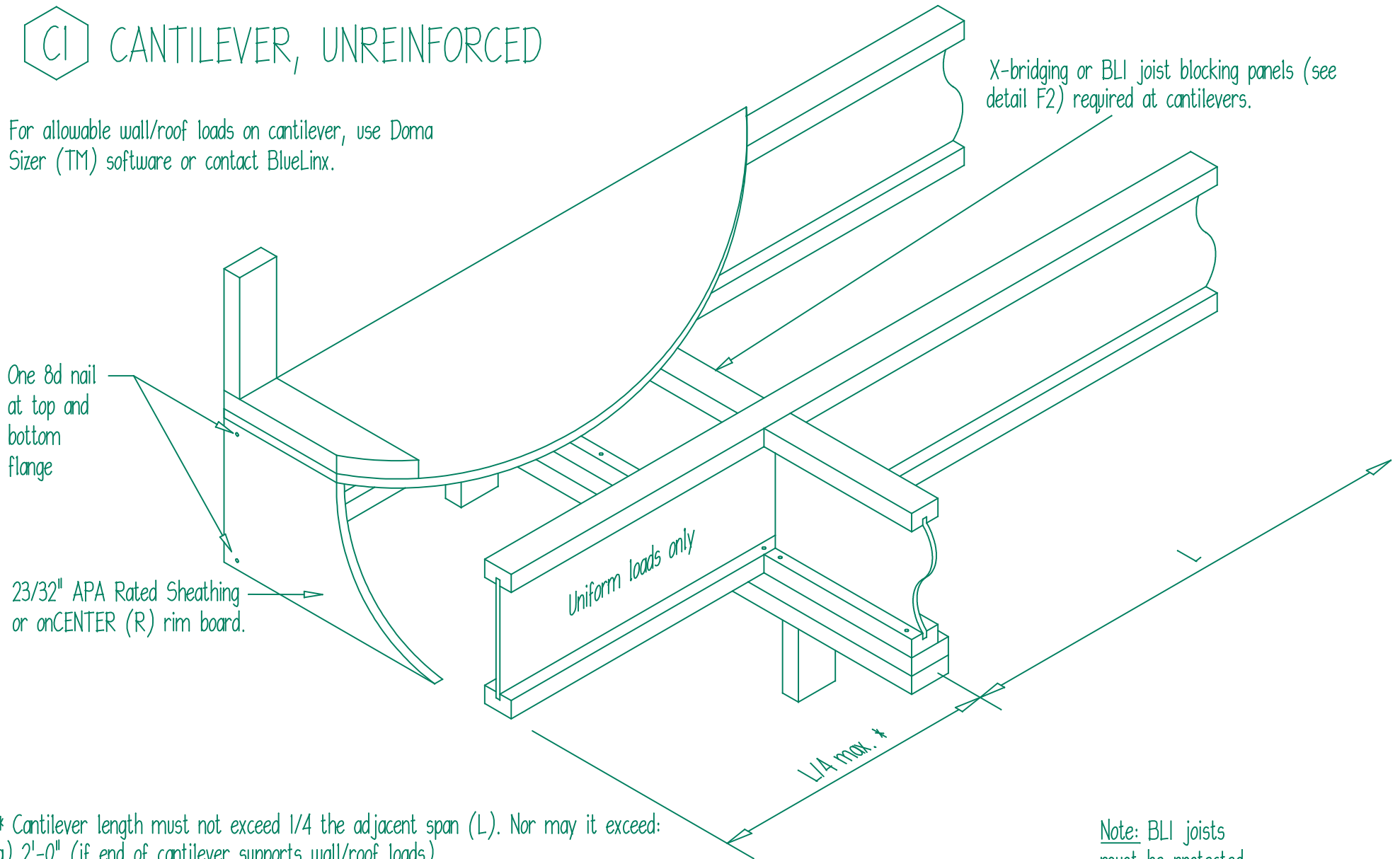


# CI CANTILEVER, UNREINFORCED

For allowable wall/roof loads on cantilever, use Doma Sizer (TM) software or contact BlueLinX.



\* Cantilever length must not exceed 1/4 the adjacent span (L). Nor may it exceed:  
a) 2'-0" (if end of cantilever supports wall/roof loads)  
b) 4'-0" (if no loads are placed on end of cantilever)  
For other conditions contact BlueLinX.

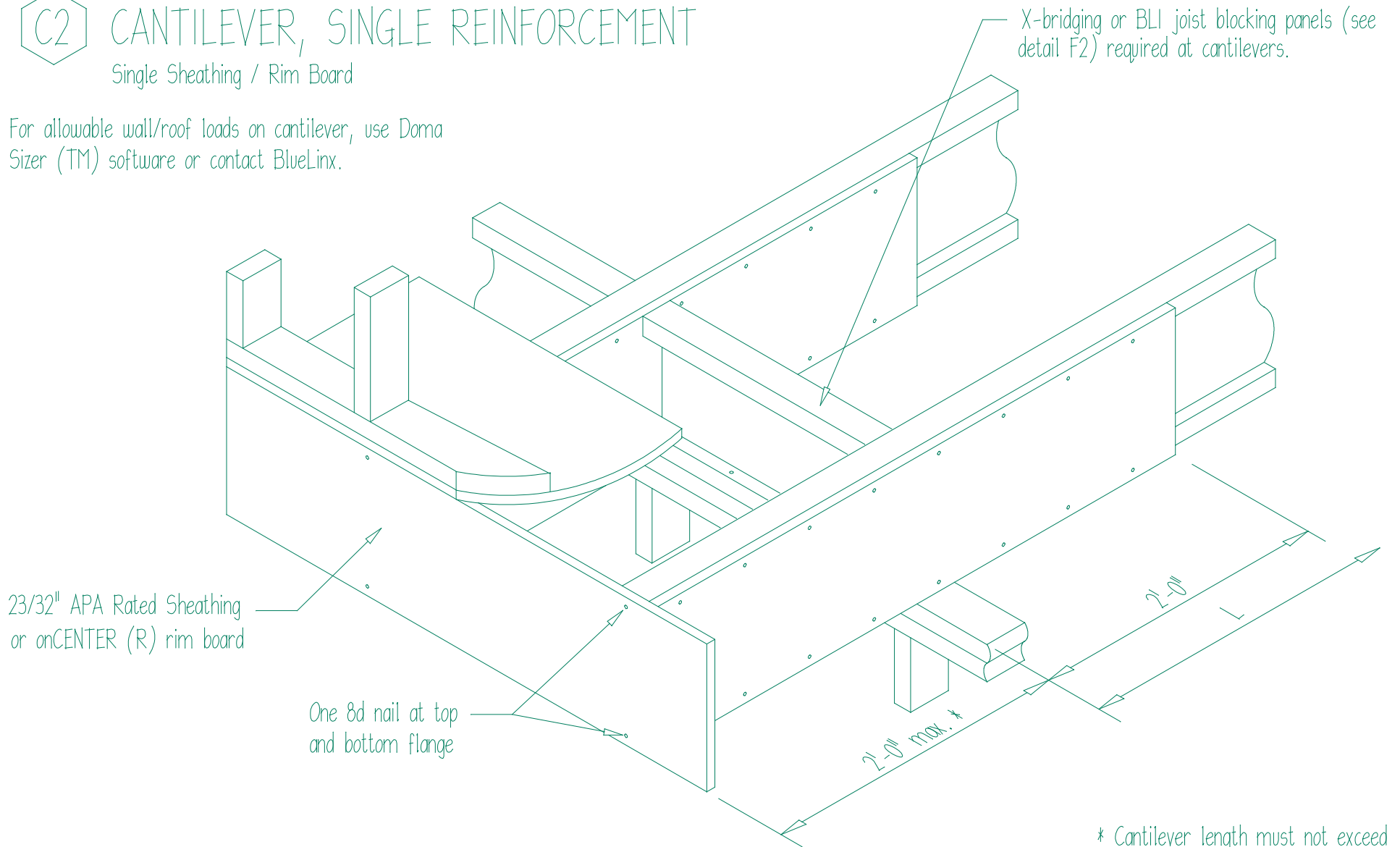
Note: BLI joists must be protected from the weather.

C2

# CANTILEVER, SINGLE REINFORCEMENT

Single Sheathing / Rim Board

For allowable wall/roof loads on cantilever, use Doma Sizer (TM) software or contact BlueLinx.



Note: onCENTER rim board or 48/24 APA Rated Sheathing (strength axis horizontal) required one side of joist. Depth must match full depth of joist. Nail to joist flanges with 8d nails at 6" o.c. Minimum end distance for flange edge nailing is 2" (3" for BLI 700/900).

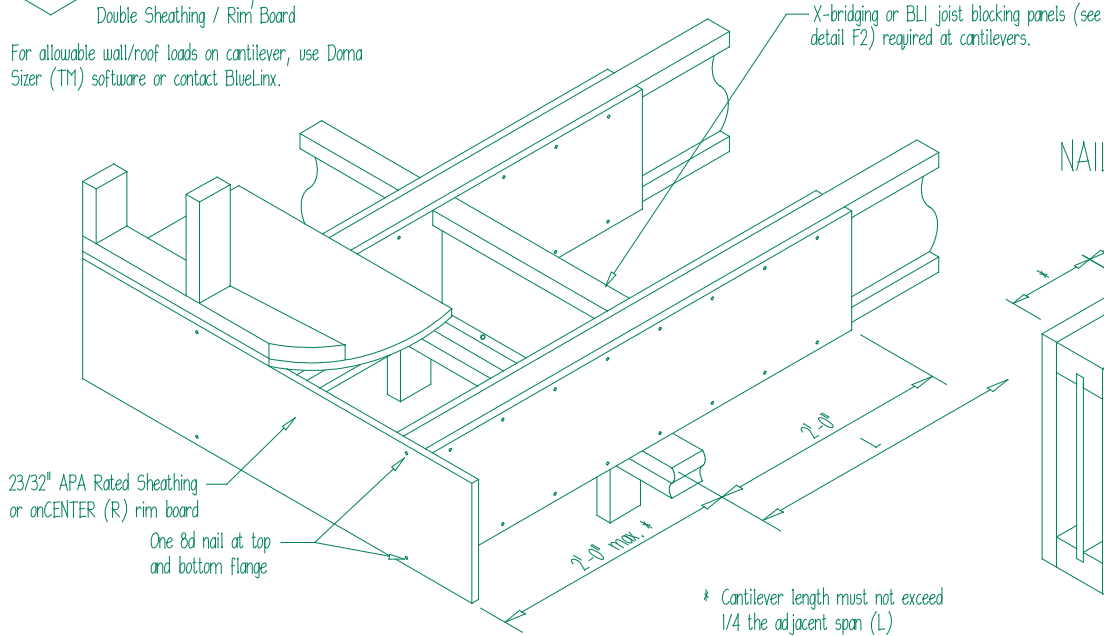
\* Cantilever length must not exceed 1/4 the adjacent span (L)



## CANTILEVER, DOUBLE REINFORCEMENT

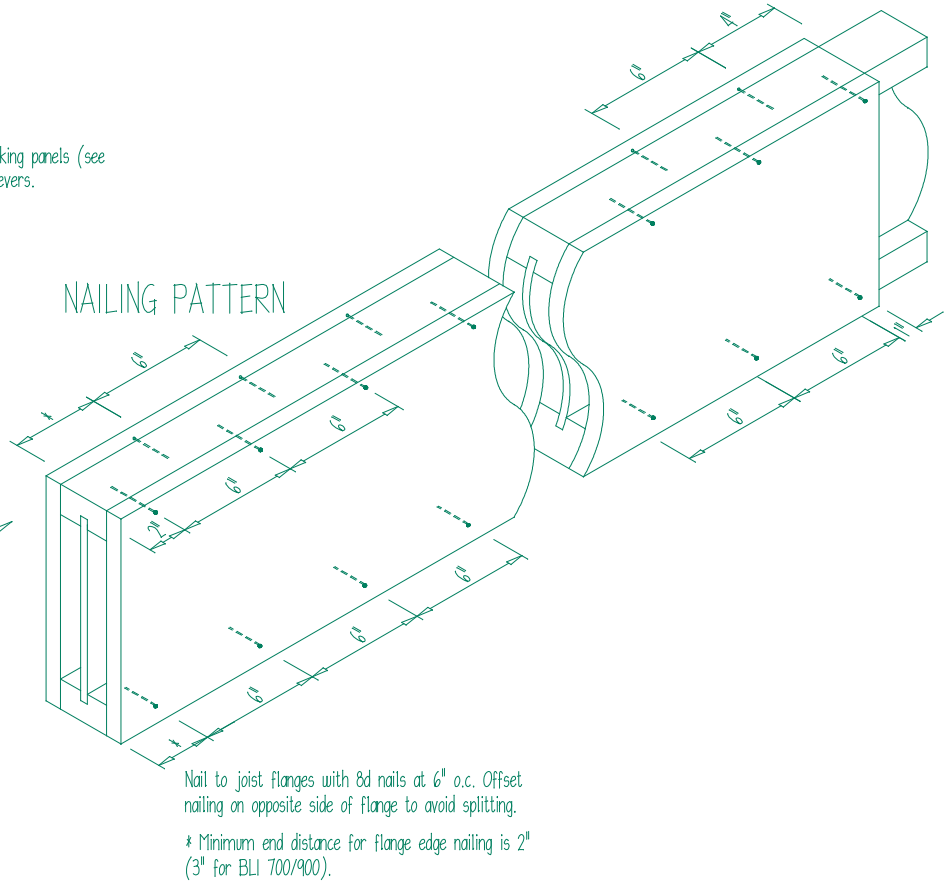
Double Sheathing / Rim Board

For allowable wall/roof loads on cantilever, use Doma Sizer (TM) software or contact BlueLinx.



Note: anCENTER rim board or 48/24 APA Rated Sheathing (strength axis horizontal) required both sides of joist. Depth must match full depth of joist.

## NAILING PATTERN



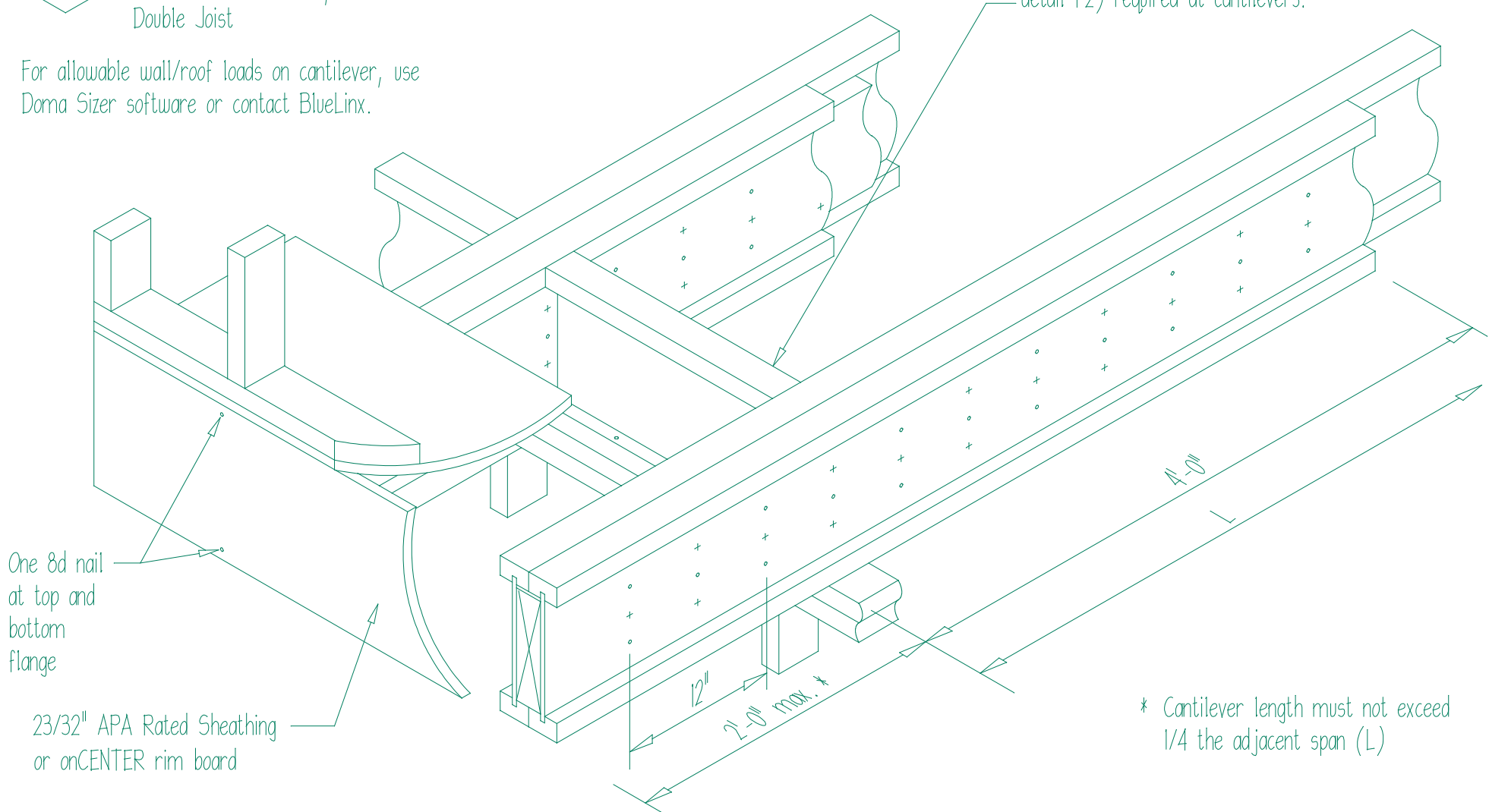
C4

# CANTILEVER, DOUBLE REINFORCEMENT

Double Joist

For allowable wall/roof loads on cantilever, use Doma Sizer software or contact BlueLinx.

X-bridging or BLI joist blocking panels (see detail F2) required at cantilevers.



One 8d nail at top and bottom flange

23/32" APA Rated Sheathing or onCENTER rim board

\* Cantilever length must not exceed 1/4 the adjacent span (L)

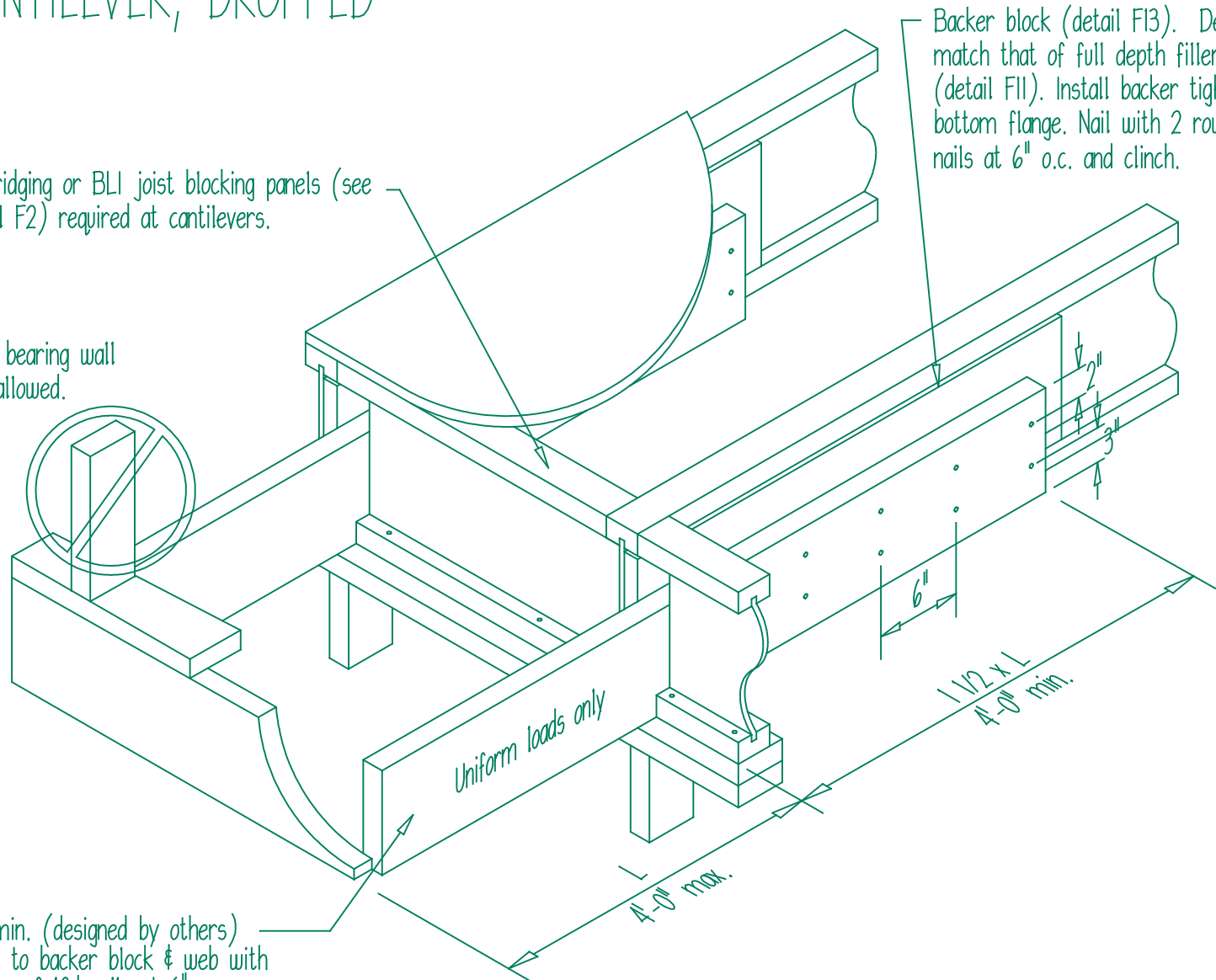
Note: Block together full length with full-depth filler blocking. See detail F11 for filler size, except filler must be one continuous length. For 9 1/2" joists, use 2 rows of 10d nails at 12" o.c. from each side; for other depths, use 3 rows of 10d nails (16d for BLI 65, 80, 90, and 900) at 12" o.c. from each side. Offset opposite side nailing by 6".

C5

# CANTILEVER, DROPPED

X-bridging or BLI joist blocking panels (see detail F2) required at cantilevers.

Load bearing wall not allowed.



2x8 min. (designed by others) nailed to backer block & web with 2 rows of 10d nails at 6" o.c. and clinched when possible.