



# Hip and Ridge

## Ridge Cap Shingles



### Need a roof done right and fast?

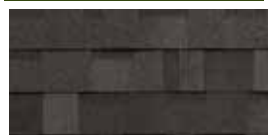
Just ask for **Hip and Ridge** Cap Shingles.

Now you don't have to waste time cutting up shingles to protect those vulnerable hip and ridge areas. IKO has a better-looking, much easier alternative! **IKO Hip and Ridge** Cap Shingles.

- This heavy weight shingle is perforated to give you 4 pieces, each 250 mm (9.84") wide. By spending less time measuring, you'll save on labor costs. Now you can improve the roofline and your bottom line!
- IKO-SBS modified adhesive sealant for maximum wind protection.
- Algae resistant granule.
- May be applied in a traditional "single" dimensional thickness and appearance. To add dimensional depth, simply apply in two layers, the top layer set back about 19 mm (3/4").
- Available in colors that match our Cambridge AR Architectural shingles!

#### Colour Availability :

##### CAMBRIDGE AR



Dual Black



Driftwood



Charcoal Grey



Aged Redwood



Harvard Slate



Weatherwood



Earthtone Cedar



Dual Grey



Riviera Red



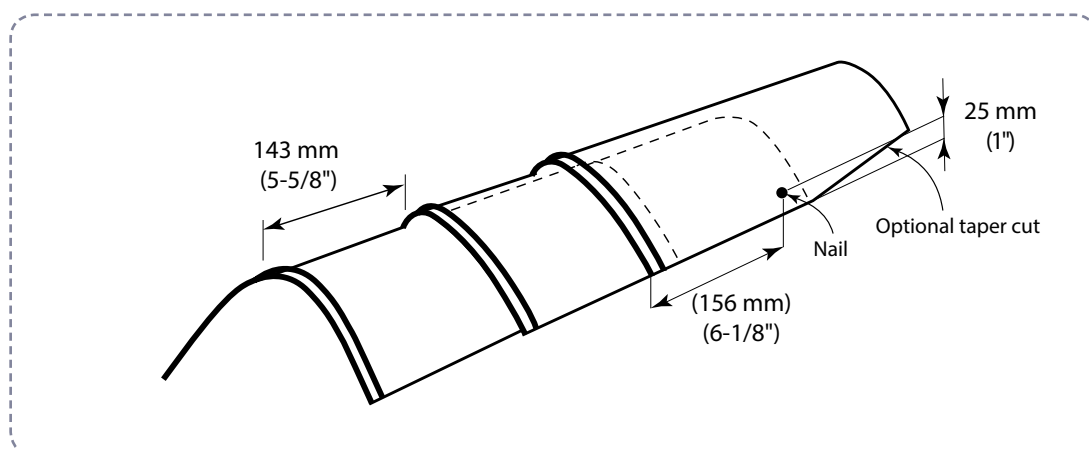
Dual Brown



Vintage Green

#### INSTALLATION INSTRUCTIONS

- Cut Hip and Ridge shingles into fourths, using the perforation marks as a guide.
  - These shingles are designed for a 143 mm (5-5/8") exposure. For a neater appearance, the top of each side of each piece can be trimmed on a 25mm (1") taper (see below).
  - Bend each piece over the hip or ridge, and nail 156 mm (6-1/8") above the butt edge, 25mm (1") in from each edge, exposing each piece 143 mm (5-5/8").
  - Apply hip pieces starting at the lower end of the hip, working up toward the ridge. On hip roofs, apply ridge pieces starting at each end, meeting in the middle. On gable roofs, apply ridge pieces starting at the end opposite to the prevailing wind direction and continue to the other end.
- Note: To obtain a three-dimensional effect, (which is recommended, but not required), apply hip and ridge shingles double thickness by stacking 2 pieces on top of one another, the lower piece extending about 19 mm (3/4") further than the top piece (see diagram).*
- The final shingle should be set in cement, and the exposed nail heads of the final shingle should be covered with cement.



#### SPECIFICATIONS:

Length	1000 mm (39-3/8")
Width	336 mm (13-1/4")
Quantity per bundle	21 X 4 = 84
Coverage per bundle	12 lin. m (39.4 lin. ft.)

*Prior to application in cold weather, storing the shingles in a heated area will allow for easier bending.*

**Save time and make your next roofing project easy on yourself.**

Just ask for IKO's **Hip and Ridge** Cap Shingles!

For more information, or to see a sample of our IKO **Hip and Ridge** Cap Shingles, contact your IKO Sales Representative today. For additional information on IKO's full line of superior roofing products please call: **United States 1-888-IKO-ROOF (1-888-456-7663), Canada 1-855-IKO-ROOF (1-855-456-7663)**, or visit our web site at: **www.iko.com**

Note: The information in this literature is subject to change without notice. IKO assumes no responsibility for errors that may appear in this literature. © Copyright 04/13 - HipandRidgeWeb